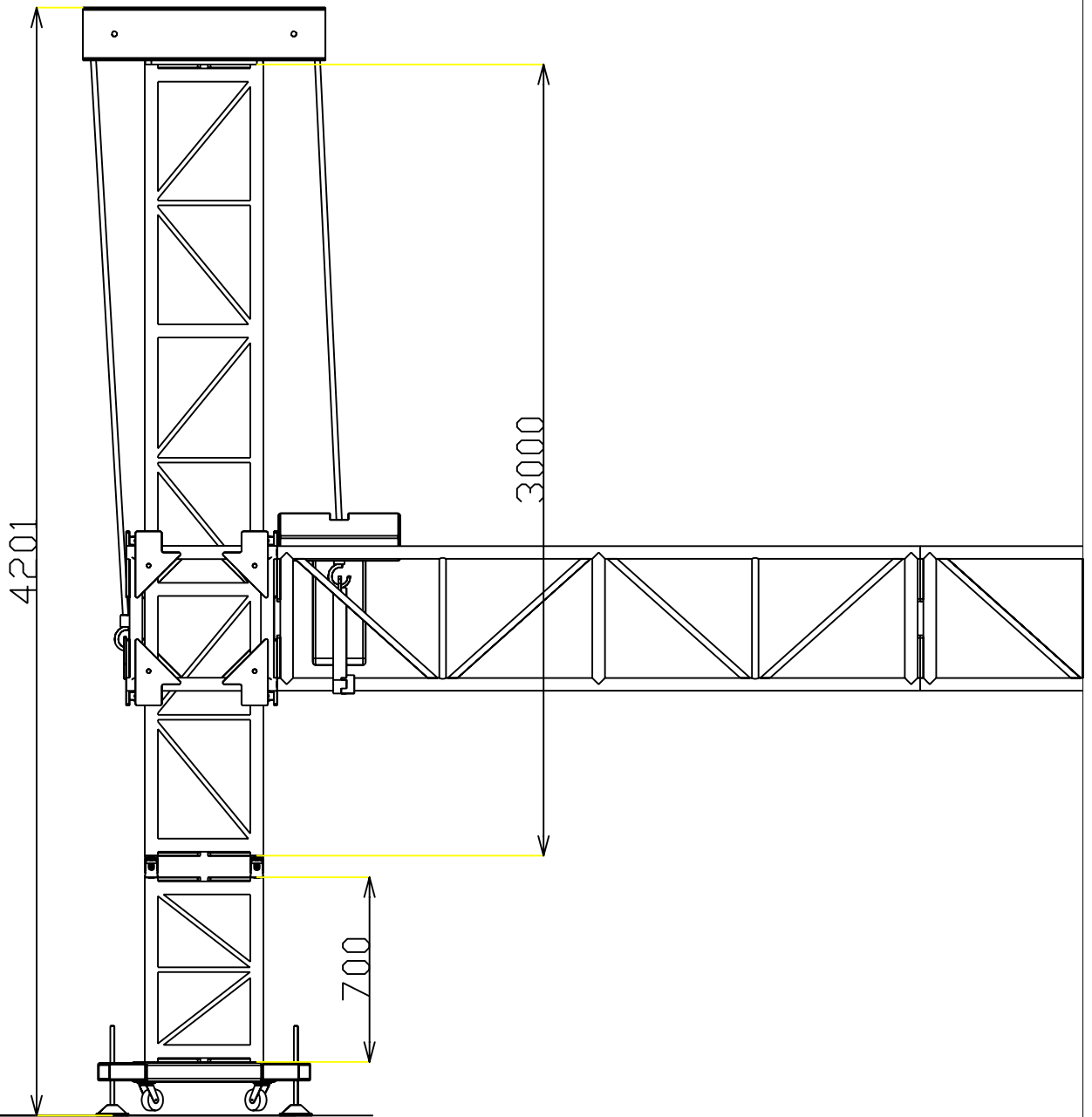
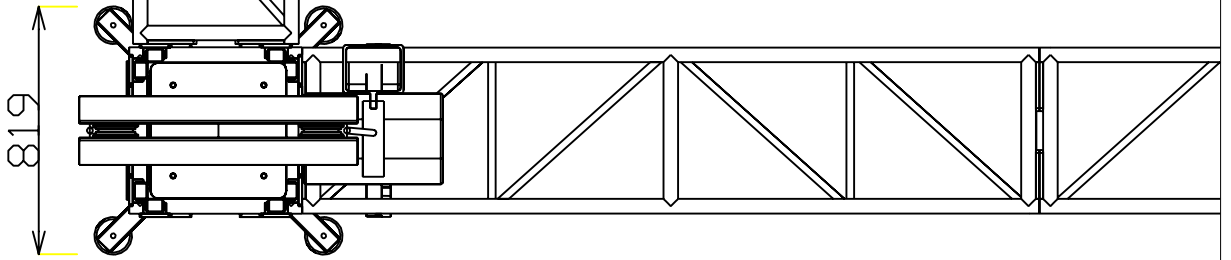


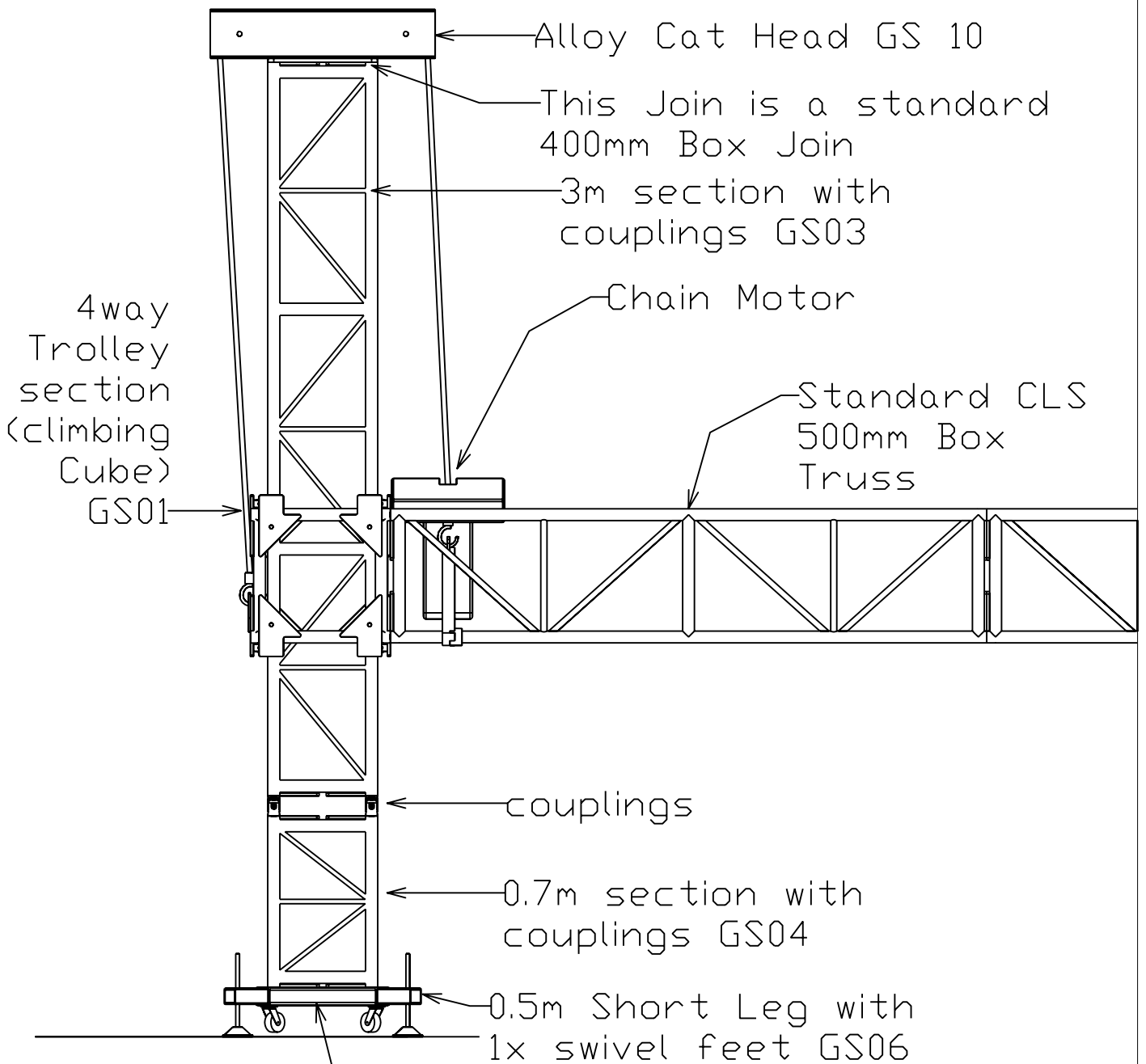
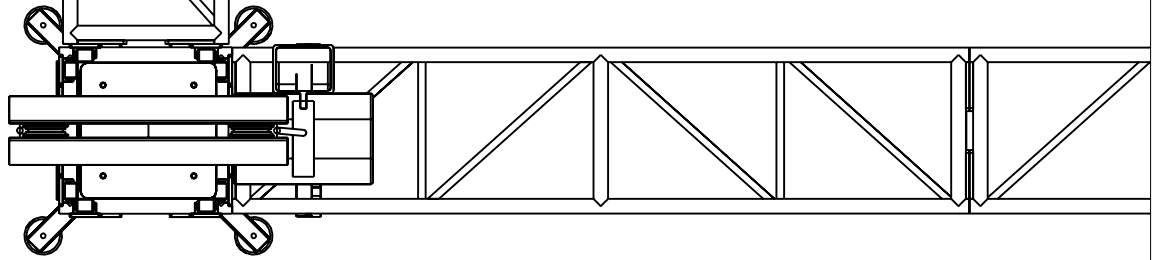
CLS Ground suport
400mm tower/ 500mm trolley & truss

Plan



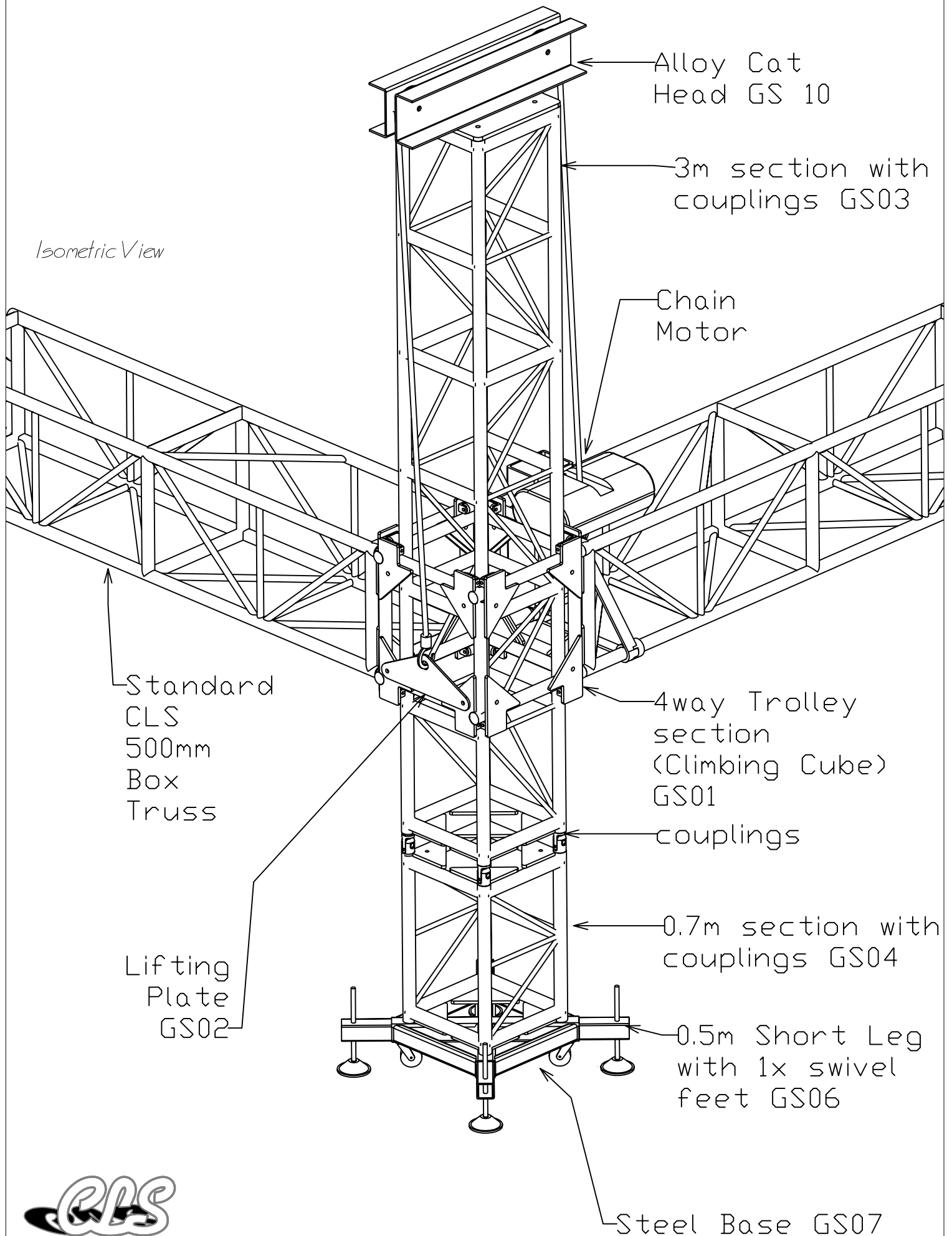
CLS Ground suport
400mm tower/ 500mm trolley & truss

Plan

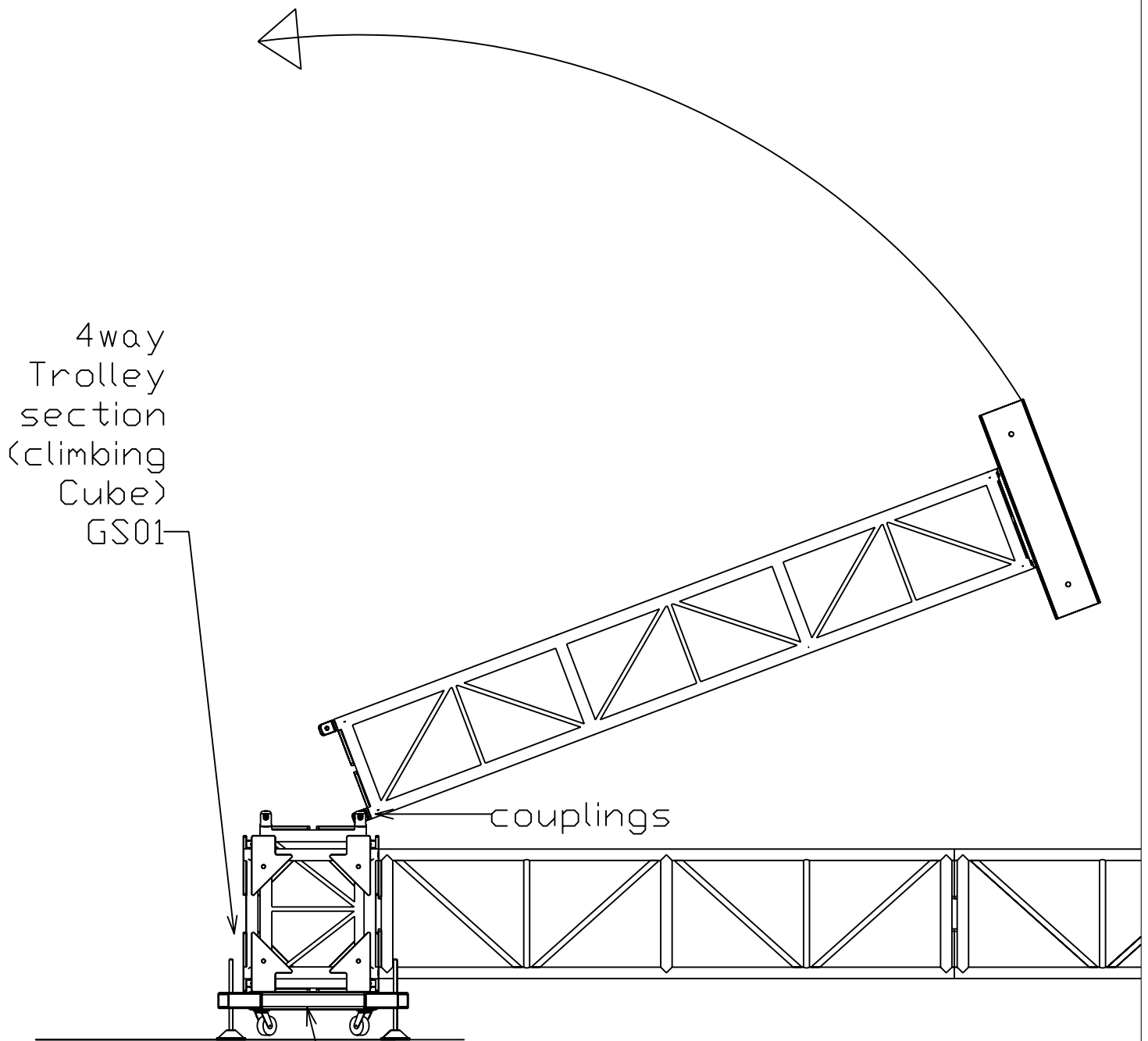


CLS Ground suport 400mm tower/ 500mm trolley & truss

Isometric View



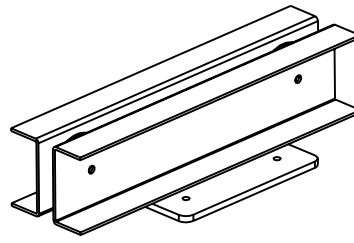
CLS Ground suport
400mm tower/ 500mm trolley & truss
Showing tower hinged from couplers



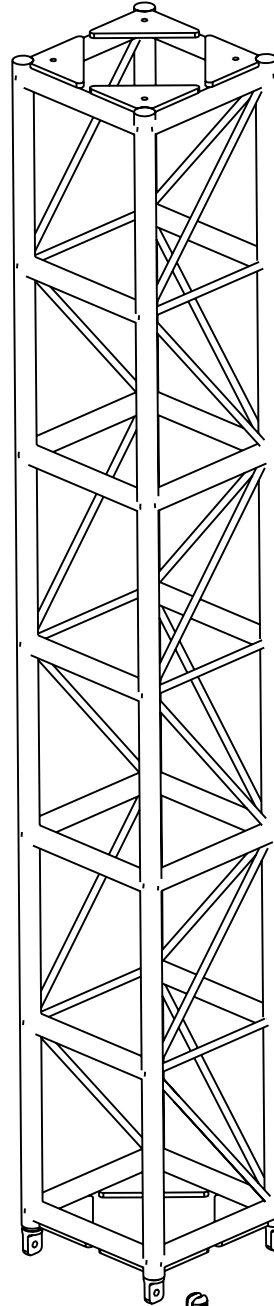
CLS Ground
suport
400mm tower/
500mm trolley
& truss



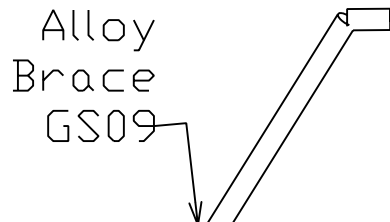
© Concert Lighting Systems Aust. 2004



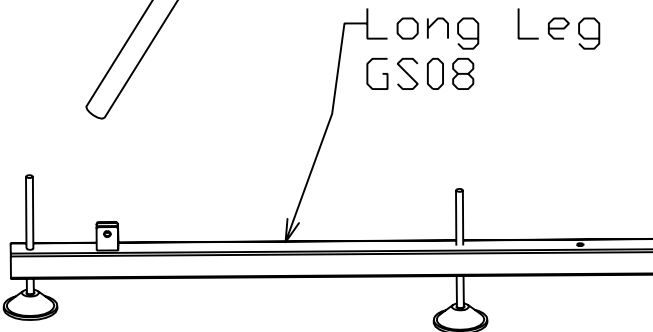
Alloy Cat
Head GS 10



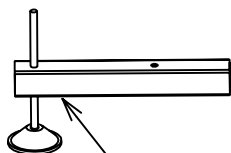
3m
section
with
couplings
GS03



Alloy
Brace
GS09



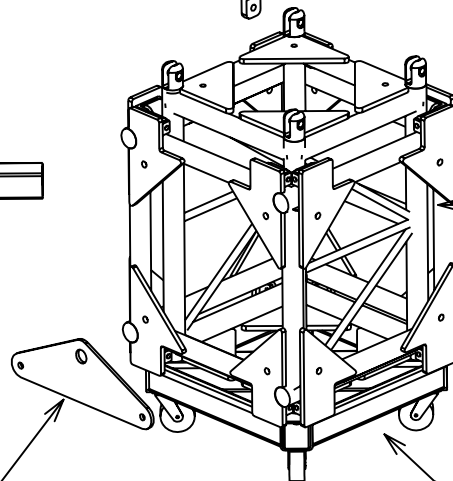
Long Leg
GS08



Short Leg
GS06

couplings

4way Trolley
section
(Climbing Cube)
GS01

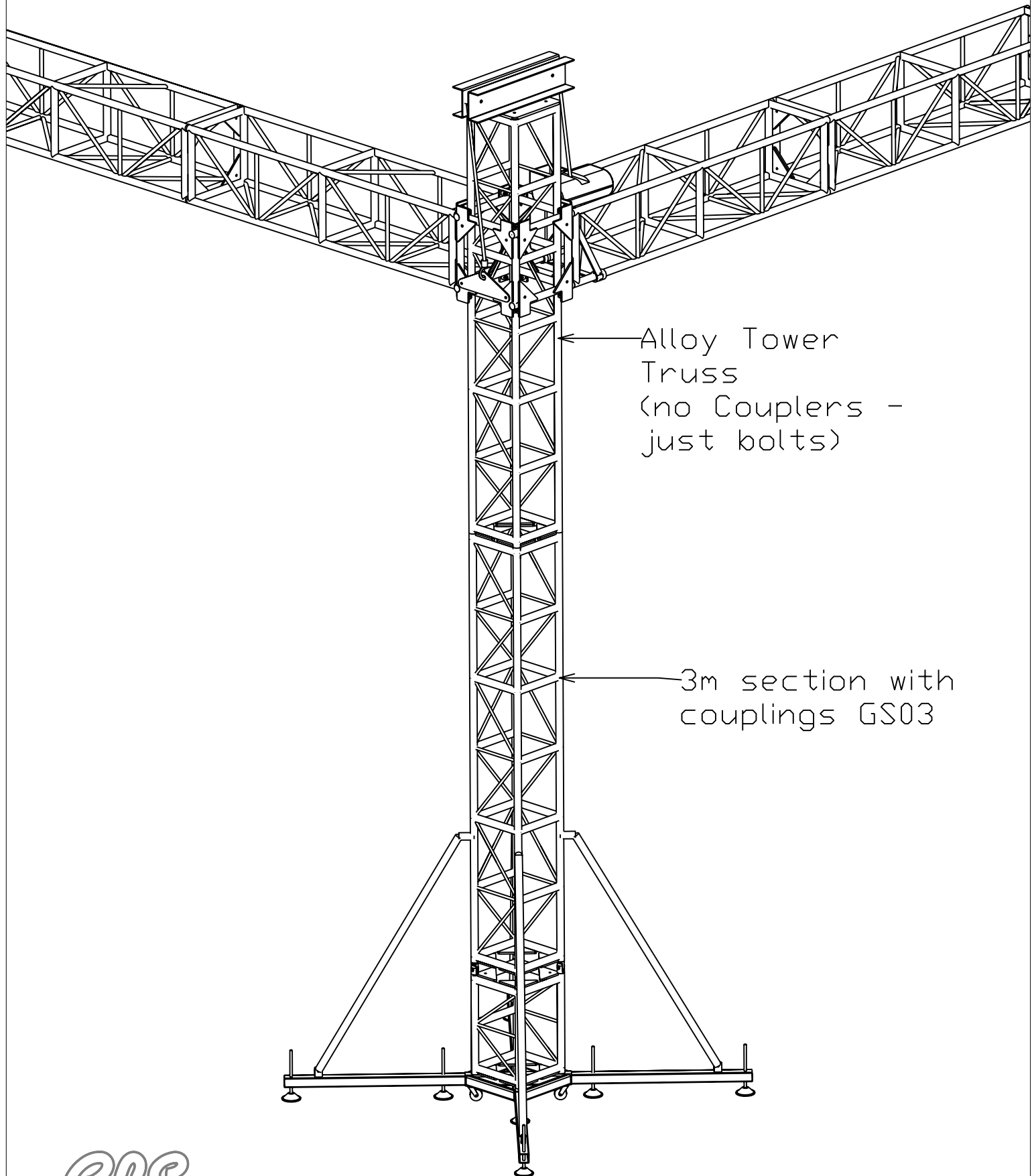


0.7m
section
with
couplings
GS04

Lifting Plate
GS02

Steel
Base GS07

CLS Ground suport 400mm Tower with Long Legs



Alloy Tower
Truss
(no Couplers -
just bolts)

3m section with
couplings GS03



CLS Ground suport 400mm Tower with Long Legs

Isometric View

Alloy Braces (for
long legs only)
GS09

← Alloy Tower
Truss
(no Couplers -
just bolts)

← 3m section with
couplings GS03

couplings

← 0.7m section
with couplings
GS04

Steel Base GS07

← 1.5m long Leg
with 2x swivel
feet GS08

