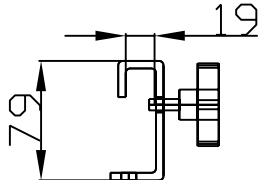
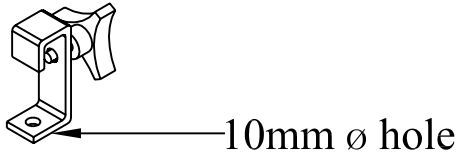
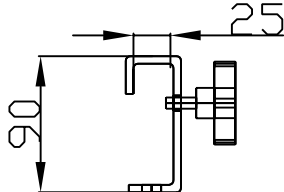
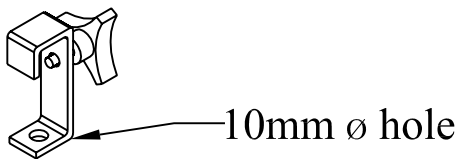
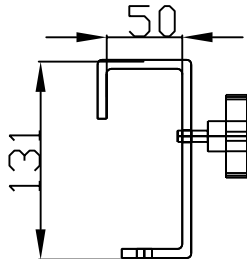
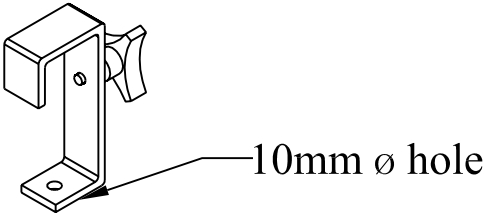


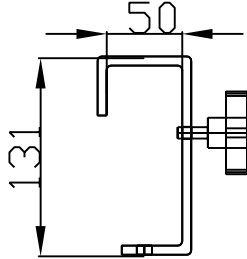
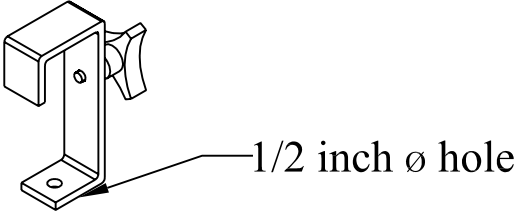
CLS Standard Hook Clamps

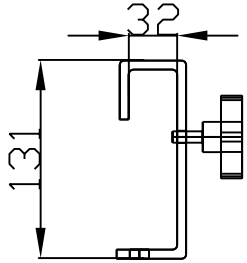
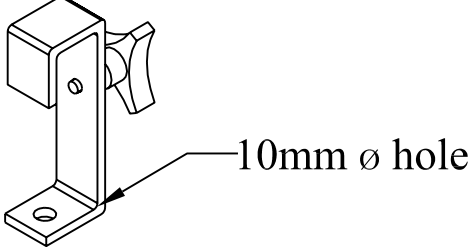


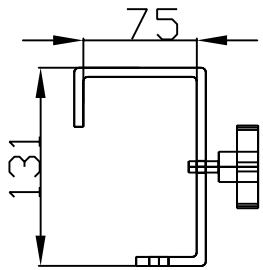
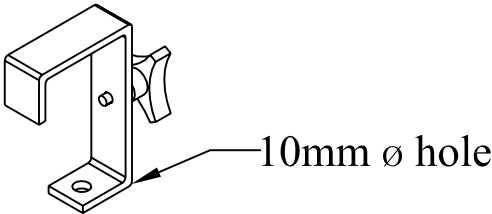
 <p>CL01</p>	 <p>10mm \varnothing hole</p>
---	--

 <p>CL02</p>	 <p>10mm \varnothing hole</p>
---	--

 <p>CL04</p>	 <p>10mm \varnothing hole</p>
--	---

 <p>CL03</p>	 <p>1/2 inch \varnothing hole</p>
---	--

 <p>CL12</p>	 <p>10mm \varnothing hole</p>
---	--

 <p>CL08</p>	 <p>10mm \varnothing hole</p>
---	--