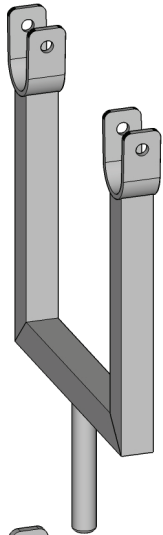
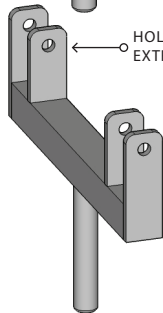


CLS STAND ADAPTERS

TR44 TR186 TR204 TR43 ST05 ST06

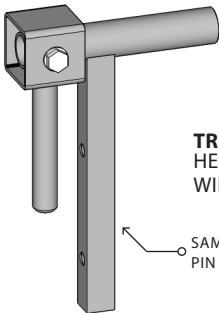


TR44
TRI-TRUSS WINCH-UP ADAPTER



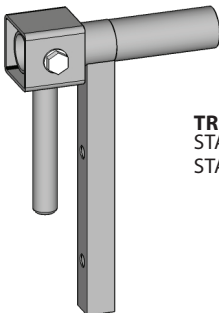
HOLES FOR BOLTS WHERE
EXTRA SECURITY REQUIRED

TR186
BOX-TRUSS WINCH-UP ADAPTER

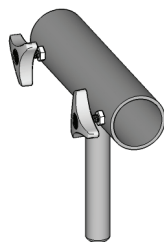


TR204
HEAVY-DUTY FLAT TRUSS
WINCH-UP ADAPTER

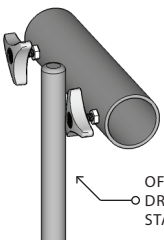
SAME AS TR43 BUT WITH SMALLER
PIN - SUITS HEAVY-DUTY FLAT-TRUSS



TR43
STANDARD FLAT TRUSS
STAND ADAPTER



ST05
STANDARD T-PIECE
STAND ADAPTER



ST06
OFFSET T-PIECE
STAND ADAPTER

OFFSET SUPPORT ALLOWS
DRAPE / SCRIM TO CONCEAL
STAND - DISCRETE INSTALLATION

FEATURES:

OUR RANGE OF STAND ADAPTERS VASTLY INCREASE THE VERSATILITY OF WINCH-UP & PUSH-UP DESIGN STANDS. BE IT FOR EQUIPMENT SUPPORT DURING AN EVENT OR SIMPLY TO AID INSTALLATION OF TRUSSING AT HEIGHT, CLS STAND ADAPTERS ALLOW FOR THE SAFE SUPPORT OF ALL OUR 300mm TRUSS PRODUCTS.

TYPICAL USAGE GUIDE:

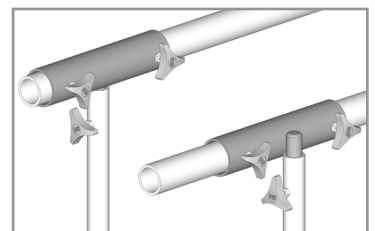
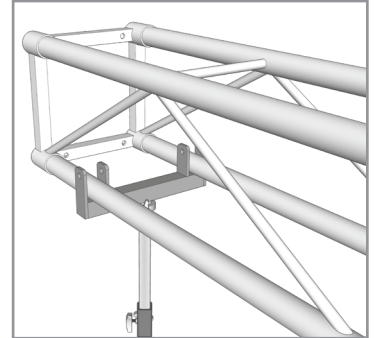
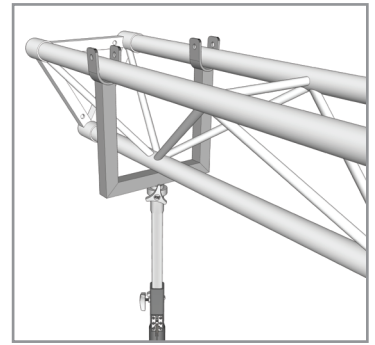
GALLERY LIGHTING FOR ART INSTALLATION
6M SPAN • FLAT TRUSS • TR43 / ST89
SUITABLE FOR UP TO SIX SIMPLE FIXTURES,
EG 2x FRESNELS & 4x PROFILES

BACK-LIGHTING FOR STAGE PRODUCTION
12M SPAN • TRI TRUSS • TR44 / ST04
SUITABLE FOR UP TO 20 SIMPLE FIXTURES & DRAPE,
EG 16x PAR64's & 4x MOLEFAY DUET BLINDERS,
12x4M DRAPE

STAGE LIGHTING FOR A COURTYARD MARQUEE
9M SPAN • BOX TRUSS • TR186 / ST04
SUITABLE FOR UP TO SIX SIMPLE FIXTURES & FOUR
BASIC INTELLIGENT FIXTURES,
EG 6x FRESNELS & 4x MAC 250 / SCANNERS

DRAPE MASKING / ARTWORK SUPPORT
4M SPAN • SCAFFOLD-TUBE • ST06 / ST89
SUITABLE FOR WOOL-DRAPE OR SHARKTOOTH SCRIM &
TAUT CANVASES

- NOTE:
- NOT TO BE USED OUTDOORS IN UNSHELTERED AREAS
 - OBSERVE RATED STAND & SURFACE CAPACITIES AT ALL TIMES
 - ENSURE STAND TRI-BOLT IS FASTENED FIRM AROUND SPIGOT BEFORE RAISING TRUSS / TUBE
 - ALWAYS USE THE SAME STAND ON EACH END OF TRUSS SYSTEM - EVEN IF ONLY USED FOR INSTALLATION
 - BOLTS MUST BE INSTALLED ON FLAT-TRUSS SYSTEMS
 - NEVER LOOSEN OR REMOVE BOLT FROM SWIVEL HEAD OF FLAT-TRUSS ADAPTERS
 - USAGE GUIDE IS A GUIDE ONLY, ALWAYS CALCULATE WEIGHT OF LOAD INCLUDING TARE WEIGHT OF TRUSS & ADAPTERS
 - OBSERVE CABLE-WEIGHT AND FORCE WHEN HANGING MULTICORE LOOMS - USE A PICK OR ADDITIONAL STAND IF NECESSARY TO REMOVE STRAIN FROM TRUSS SYSTEM



©2008 CLSA PTY. LTD.

63-65 KINGSWAY, SOUTHBANK VIC 3006
ph 03 9682 6111 fax 03 9682 6777

info@clsa.com.au

60 EPSOM ROAD, ROSEBERY NSW 2018
ph 02 9697 2500 fax 02 9697 2522

ABN 14 005 422 319



CONCERT LIGHTING SYSTEMS AUSTRALIA