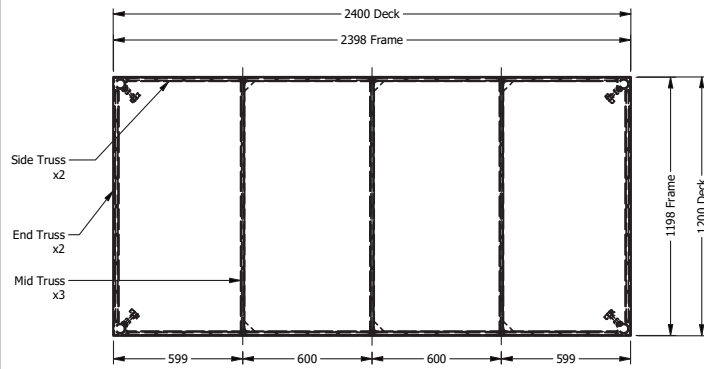
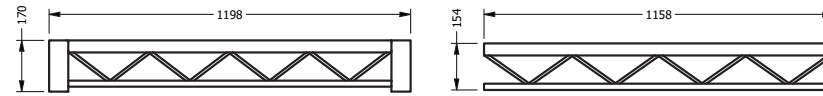


# CLS Australia Cad Blocks - Part Catalogue

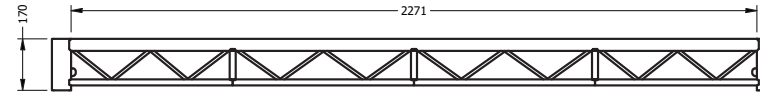


PLAN VIEW

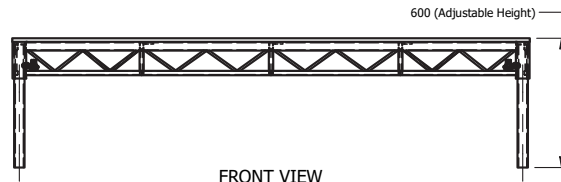


End Truss - (Elevation)

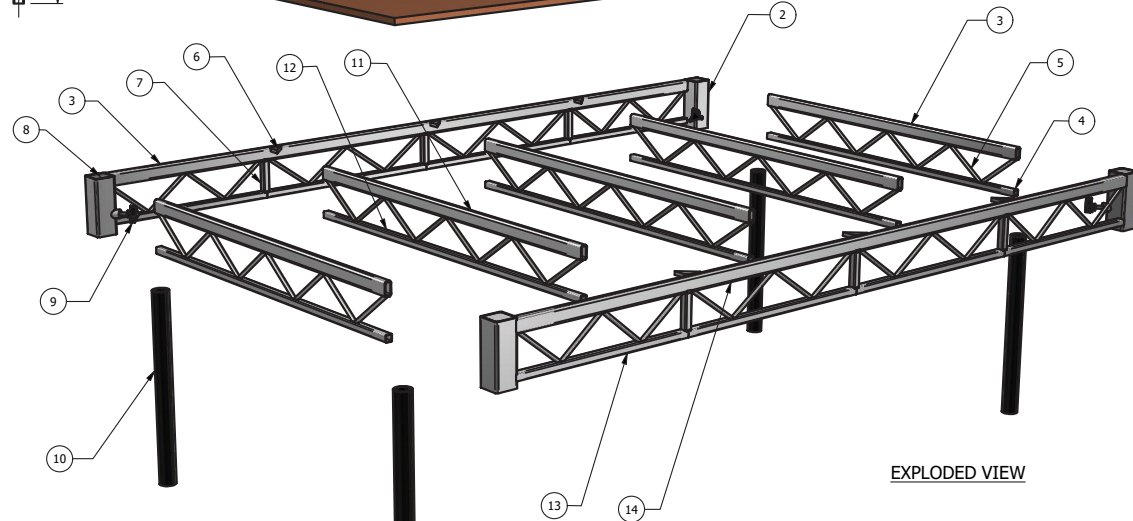
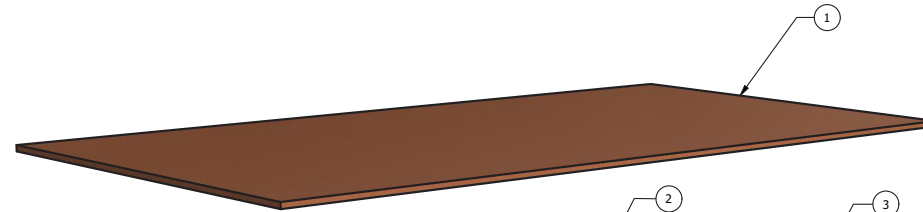
Mid Truss - (Elevation)



Side Truss - (Elevation)



FRONT VIEW



EXPLODED VIEW

PARTS LIST		
1	17mm Australian Form Ply - (Grade F14)	1
2	2 1/2" x 2 1/2" x 4mm SHS	4
3	40 x 20 x 3mm RHS	2
4	20 x 20 x 3 SHS	2
5	ø10mm Solid Bar (Webs)	72
6	10mm Corner Wedge	6
7	20 x 20 x 3 SHS	6
8	10mm End Cap	4
9	Tri Wheel	4
10	48.3 x 2.8mm Galv. Pipe (Legs)	4
11	40 x 20 x 3 RHS	3
12	20 x 20 x 3 SHS	3
13	20 x 20 x 3 SHS	2
14	40 x 20 x 3 SHS	2

NOTE:

- All tubes from Aluminium Alloy 6061 T6
- Weld Material 5356

<b>CLS AUSTRALIA PTY LTD</b> Lighting Rigging & Staging Solutions	DRAWING No: XXXX-XXX-XX	NAME: CLSA	
	DATE: 12-Apr-18	SHEET: 1	OF: 1 REV: A
TITLE: Stage Deck - 2.4 x 1.2m (CLSS01)			
<small>           #P1: C:\CAD\Draws\180412\StageDeck\StageDeck.dwg #EXTN: C:\3D\180412\StageDeck\StageDeck.dwg         </small>			