

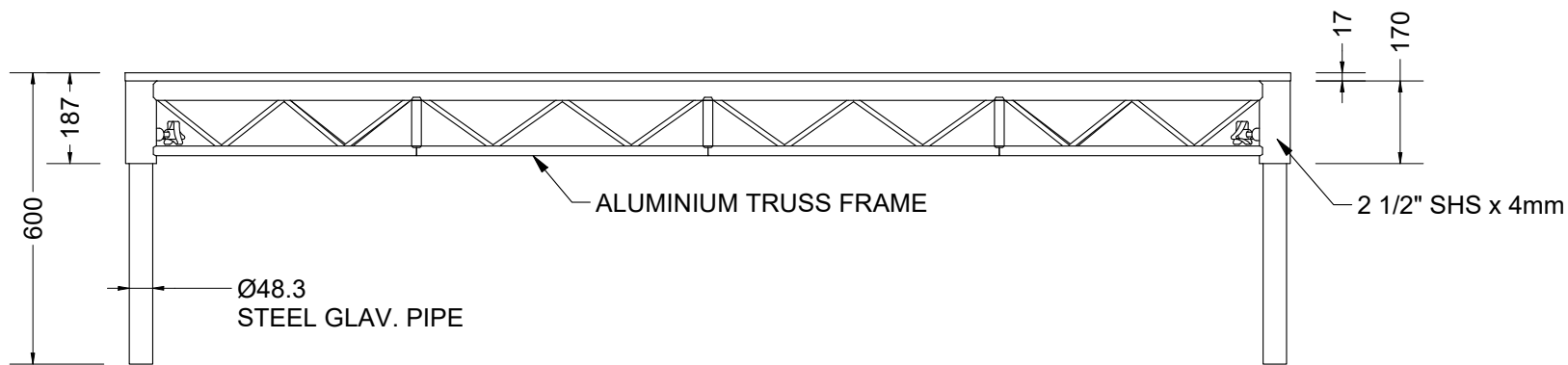
TOP VIEW ( 1 : 15 )



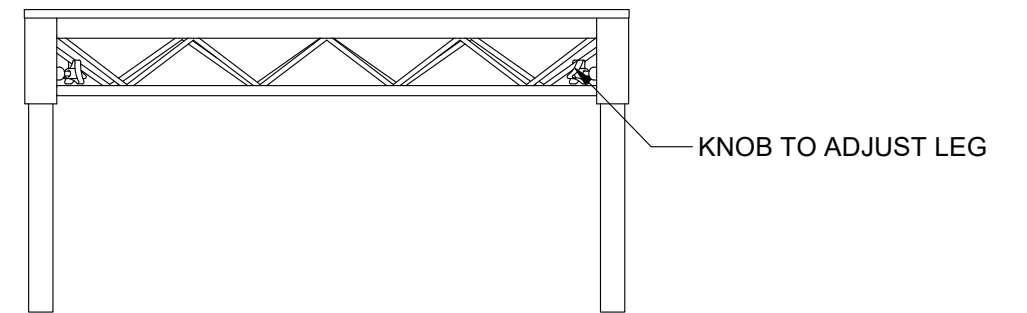
ISOMETRIC VIEW ( 1 : 15 )


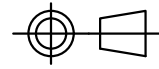


FRONT VIEW ( 1 : 15 )



SIDE VIEW ( 1 : 15 )



 <p>PREPARED BY <b>CLS AUSTRALIA</b> 1 ROGERS ST, PORT MELBOURNE, VIC 3201 PHONE: (03) 9646 8890 EMAIL: info@clsa.com.au</p>	SIZE: <b>A3</b>	APPROVED: <b>TL</b>	<b>STAGE DECK</b>
	SCALE: <b>N/A</b>	DRAWN BY: <b>BC</b>	
<p>THIS DOCUMENT IS © COPYRIGHT MATERIAL AND REMAINS THE INTERLECTUAL PROPERTY OF CONCERT LIGHTING SYSTEMS AUSTRALIA.</p> <p>THIRD ANGLE PROJECTION ALL DIMENSIONS IN MILLIMETRES</p>		REVISION: <b>1.0</b>	Stage Deck - 2400 x 1200 x 187mm
	ISSUE DATE: <b>20/03/2020</b>	PART NUMBER: <b>CLSS01</b>	SHEET: <b>1 OF 1</b>